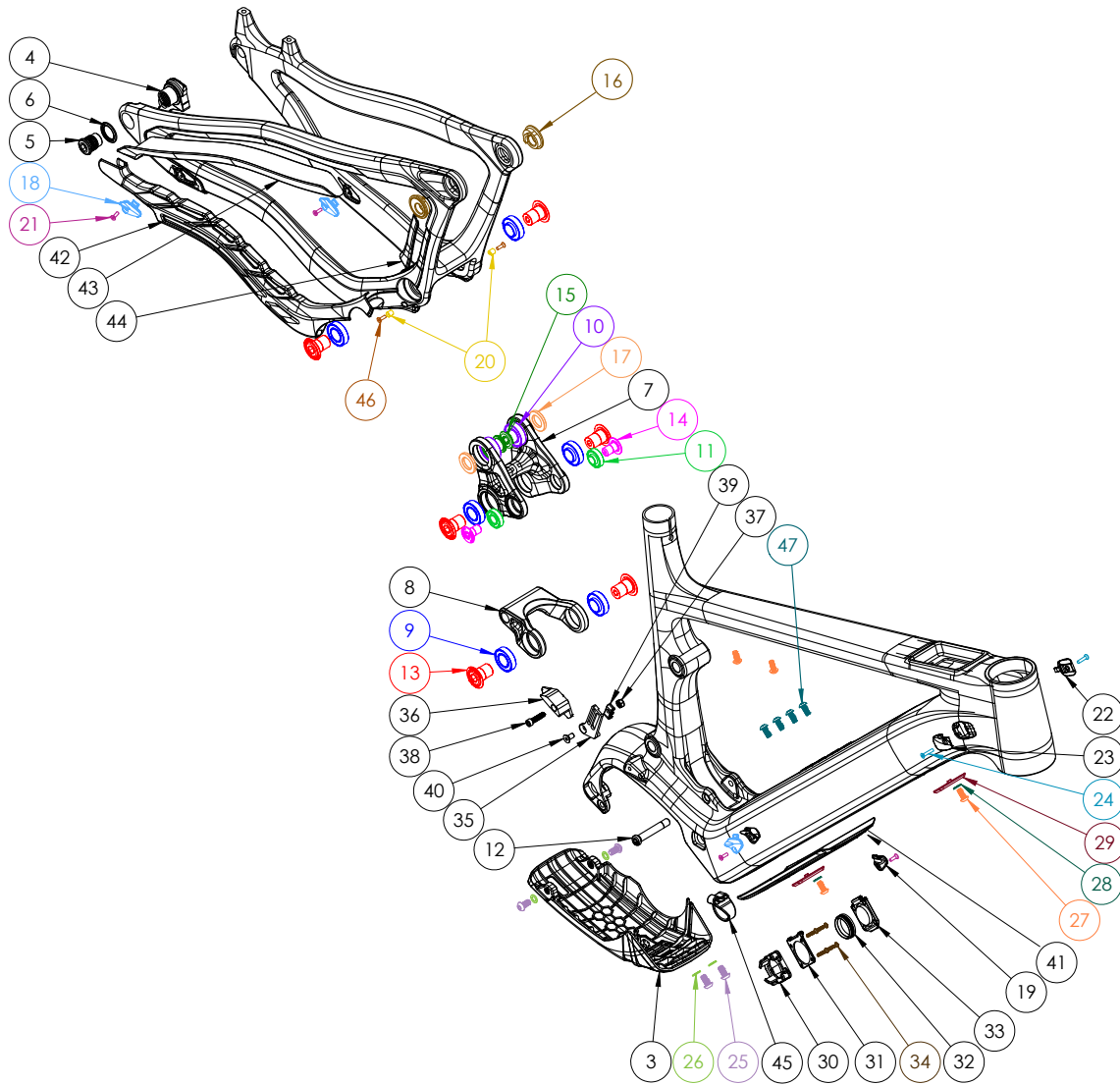


SHUTTLE SLAM



HARDWARE NUMBER	PART NUMBER	DESCRIPTION	TORQUE	*
3	FP-CVR-SLAMI-SKD-VI-RI	SHUTTLE SLAMVI SKID PLATE		
4	FP-UDH-TA-I2MM-BLK-VI-RI (#4-6 SOLD AS SET)	UNIVERSAL REAR DERAILLEUR HANGER		
5	-	UNIVERSAL REAR DERAILLEUR HANGER BOLT	25 NM (18 LB-FT)	
6	-	UNIVERSAL REAR DERAILLEUR HANGER WASHER		
7	FP-LNK-UL-66MM-VI-RI	66MM UPPER LINK		
8	FP-LNK-LL-50MM-V4-RI	50MM OUT-TO-IN LOWER LINK		
9	FP-BRG-6902-LLUMAXEEN	28MM 6902 EXTENDED MAX-E BEARING - BLACK OXIDE		
10	FP-BRG-6902-LLUMAX	28MM 6902 STANDARD MAX BEARING - BLACK OXIDE		
11	FP-BRG-6900-LLUMAXE	22MM 6900 EXT'D MAX-E BEARING - BLACK OXIDE		
12	FP-BLT-M8*45.7-BLK-V2	M8 FRONT SHOCK BOLT FOR 30.1MM SHOCK SPACING	13 NM (10 LB-FT)	G / L
13	FP-BLT-MI4*20-BLK-V2-R2	MI4X20 LINK BOLT	35 NM (27 LB-FT)	L
14	FP-BLT-MI0*16.5-BLK-VI	MID TRUNNION MOUNT BOLT	13 NM (10 LB-FT)	L
15	FP-BLT-MI4*20-BLK-V3-R2	MI4X20 FLIP CHIP BOLT	35 NM (27 LB-FT)	L
16	FP-NUT-FLIPCHIP-4.6MM-VI	4.6MM FLIP CHIP		G
17	FP-WSH-SPC-151*250*3W	MI4X3MM FLIP CHIP SPACER		G
18	FP-CLM-MECH-FRM-VI	INTERNAL ROUTING CABLE CLAMP		
19	FP-CVR-MECH-FRM-V4	INTERNAL ROUTING CABLE PORT CAP (MIRRORED)		
20	FP-CLM-INT-VI-RI	CABLE ROUTING INTERNAL PINCH CLAMP		
21	FP-SCW-FLT-M3*10-BLK	M3X10 CABLE PORT SCREW		
22	FP-CLM-PORT-DOUBLE-VI-RI	DUAL PORT - DOUBLE CLAMP		
23	FP-CLM-PORT-SINGLE-VI-RI	DUAL PORT - SINGLE CLAMP		
24	-	DUAL PORT CLAMP SCREW BLACK		
25	FP-SCW-BTN-M6*12-VI-RI-BLK	M6X12 SKID PLATE MOUNTING SCREWS	SNUG	
26	FP-WSH-M6-BLK-VI-RI	M6 WASHER BLACK		
27	FP-SCW-BTN-M5*12	M5X12 BUTTON HEAD SCREW	8 NM (4 LB-FT)	L
28	FP-WSH-M5*10*1-VI-RI	M5 WASHER		
29	FP-MNT-SLAMI-BATT-VI-RI	BATTERY BRACKET MOUNTING PLATE		
30	FP-CLP-BATT-CHG-VI-RI	BOSCH CHARGER TERMINAL CLIP		
31	FP-MNT-BATT-CHG-VI-RI	BOSCH CHARGER MOUNTING PLATE		
32	FP-GKT-BATT-CHG-V2-RI	BOSCH CHARGER GASKET		
33	FP-CVR-BATT-CHG-VI-RI	BOSCH CHARGER TOP CAP		
34	-	M3X14 CHARGING PORT MOUNTING SCREWS	SNUG	
35	FP-MNT-CG-V4 (#35-38 SOLD AS SET)	CHAIN GUIDE MOUNTING PLATE		
36	-	UPPER CHAIN GUIDE		
37	-	M5 LOCKNUT		
38	-	M5X20 SOCKETHEAD SCREW	SNUG	
39	FP-CG-CLM-VI	CHAIN GUIDE CABLE CLAMP		
40	FP-SCW-FLT-M5*12-BLK	M5X12 FLAT HEAD CG MOUNTING SCREW	5 NM (4 LB-FT)	L
41	FP-PRO-SLAMI-DT-VI-RI	SLAMVI DOWNTUBE PROTECTOR		
42	FP-PRO-SLAMI-CS-VI-RI	SLAMVI CHAINSTAY PROTECTOR		
43	FP-PRO-SLAMI-SS-VI-RI	SLAMVI SEATSTAY PROTECTOR		
44	FP-PRO-SLAMI-UR-VI-RI	SLAMVI UPRIGHT PROTECTOR		
45	FP-CLP-WIRE-VI-RI	BOSCH WIRE MANAGEMENT LOOP		
46	FP-SCW-BTN-M3*10-BLK	M3X10 PINCH CLAMP BOLT BLACK	SNUG	
47	FP-SCW-BTN-M5*8	M5X8 BUTTON HEAD SCREW	SNUG	

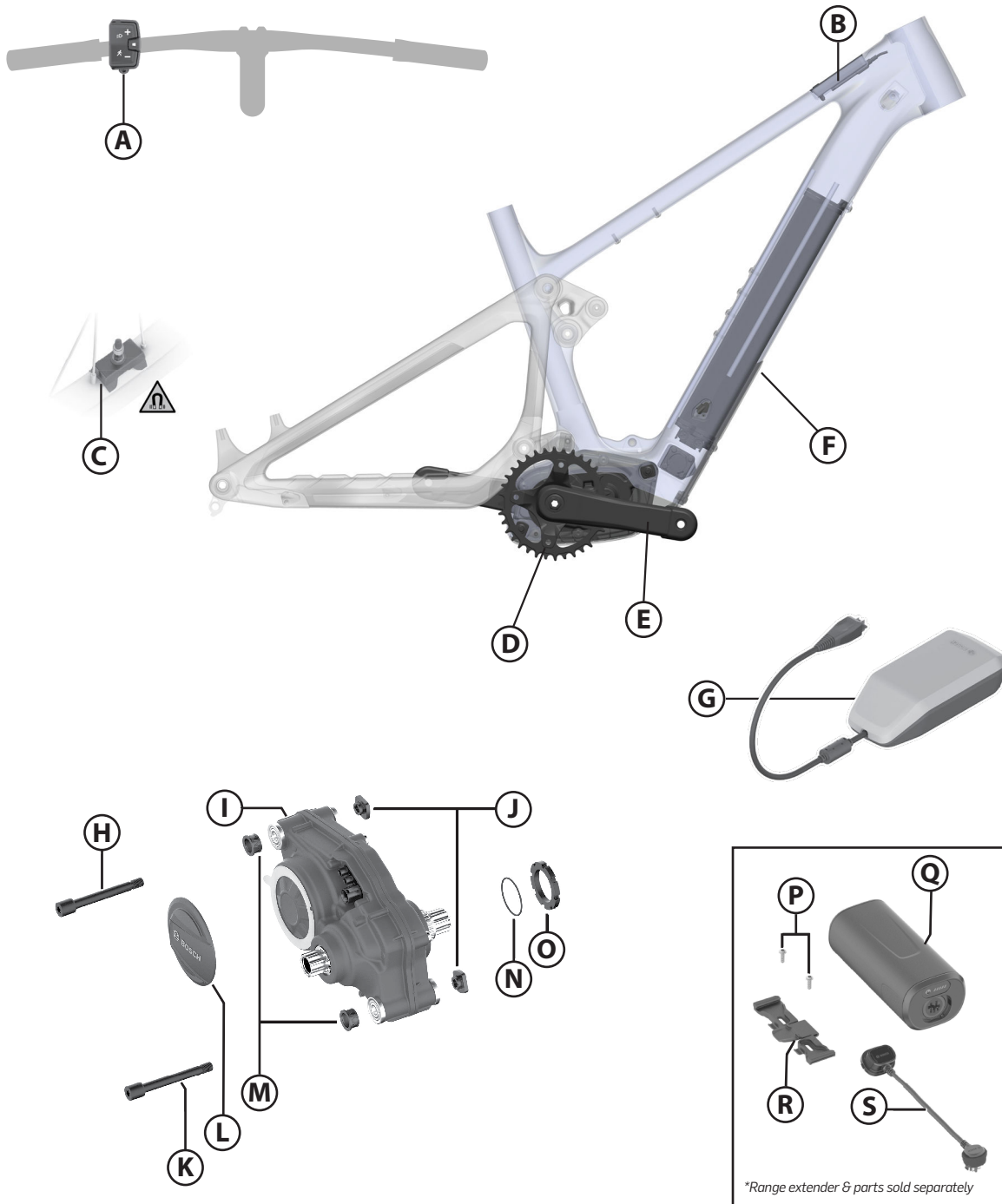
NOT PICTURED	PART NUMBER	DESCRIPTION	TORQUE	*
-	I57MM THROUGH AXLE V5	I57MM UDH REAR AXLE	15 NM (11 LB-FT)	G
-	-	I2MM AXLE WASHER (INCLUDED W/ AXLE)		G

BIKE CARE				
*	PRODUCT TYPE	RECOMMENDED PRODUCT		
G	GREASE	MOTOREX BIKE GREASE 2000		
L	THREAD LOCKER**	LOCTITE THREAD LOCKER #243 (OR EQUIVALENT)		
G/L	GREASE (BOLT SHAFT) / THREAD LOCKER (BOLT THREADS)	SEE ABOVE		
A	ANTI-SEIZE	MOTOREX COPPER PASTE		
Y	LIGHT DUTY THREAD LOCKER	LOCTITE THREAD LOCKER #222 (OR EQUIVALENT)		
R	RETAINING COMPOUND	LOCTITE RETAINING COMPOUND #638 (OR EQUIVALENT)		

**THREADLOCKER SHOULD ALWAYS BE APPLIED TO THE CORRESPONDING FEMALE THREADS FOR THE BOLT SPECIFIED



SHUTTLE LT BOSCH SYSTEM PARTS



*Range extender & parts sold separately

PARTS & COMPONENTS				
LETTER	PART DESCRIPTION	PART NAME	TORQUE	*
A	MINI REMOTE	EBI3.100.01E		
B	SYSTEM CONTROLLER	EBI3.100.000		
	1000MM HMI CABLE	EBI2.120.007		
	ADAPTOR FOR BRC3100	EBI3.200.0AE		
	SCREW FOR ADAPTOR	EBI3.200.0AF		
C	RIM MAGNET/ SLEEVE (SPEED SENSOR)	EBI1.200.015/ EBI1.200.02S		
D	SPIDER, BASH RING & CHAINRING (RIDE BUILDS)	EP08A-BHV04-DG-C56 /B650/ 00.6218.034.003		
	SPIDER, BASH RING & CHAINRING (PRO BUILDS)	EP08A-BHV04-DG-C56 /B650/ 00.6218.034.003		
	SPIDER, BASHRING & CHAINRING (TEAM BUILDS)	EP08A-BHV04-DG-C56 /B650/ 00.6218.034.003		
E	CRANK ARMS (RIDE BUILDS)	EC-IISIS-160A		
	CRANK ARMS (PRO BUILDS)	EC-IISIS-160A		
	CRANK ARMS (TEAM BUILDS)	EC-IISIS-160CM		
F	COMPACTTUBE 400 BATTERY (US, CAN, JP, KOR)	EBI2.100.043		
	COMPACTTUBE 400 BATTERY (EU28, CH, NO, AUS, NZ)	EBI2.100.048		
G	BATTERY CHARGER 4A110V/CABLE (US)	EBI2.110.000/ I270.020.343		
	BATTERY CHARGER 4A 230V/CABLE(EU)	EBI2.110.001/ I270.020.330		
	BATTERY CHARGER 4A 230V/CABLE(AUS)	EBI2.110.001/ I270.020.344		
	BATTERY CHARGER 4A 230V/CABLE(UK)	EBI2.110.001/ I270.020.331		
H	FRONT DRIVE UNIT MOUNTING SCREW (M8X1X82.3 LONG)	EBI1.200.0NA	30 NM (22 LB-FT)	G/L
I	PERFORMANCE LINE SX DRIVE UNIT	EBI1.100.00Y		
J	DRIVE UNIT MOUNTING NUTS (M8X1)	EBI1.200.03C		
K	REAR DRIVE UNIT MOUNTING SCREW (M8X1X68.7 SHORT)	EBI1.200.0N9	30 NM (22 LB-FT)	G/L
L	PERFORMANCE LINE SX DRIVE UNIT LOGO BEZEL	EBI1.200.09C		
M	INSERT SLEEVE (REPLACE EACH INSTALL)	EBI1.200.06K		
N	O-RING FOR LOCKRING	I270.016.119		
O	DRIVE UNIT LOCKRING	EBI1.200.0JH	35 NM (27 LB-FT)	
-	POWERMORE 250 KITS (AVAILABLE FROM PIVOT)	BOSCH RANGE EXTENDER 150MM / BOSCH RANGE EXTENDER 250MM		
P	M5X8 BRACKET FASTENING SCREWS	FP-SCW-BTN-FLG-M5*0.80*8MM	3 NM (26 IN-LB)	
Q	BRACKET FOR POWERMORE	EBI2.110.01A		
R	BRACKET FOR POWERMORE	EBI2.110.01A		
S	POWERMORE CABLE 150MM/250MM	EBI2.120.036/EBI2.120.08J		
NOT PICTURED	PART DESCRIPTION	PART NAME		
-	BATTERY ADAPTER 2 (2 PLUG IN LOCATION FOR BATTERY CABLE)	EBI2.100.015		
-	BATTERY BRACKET FOR BATTERY CONNECTOR	EBI2.100.03S		
-	BATTERY BRACKET W/O BATTERY CONNECTOR	EBI2.100.03T		
-	BATTERY BRACKET MOUNTING SCREWS	EBI2.100.03U	2 NM (18 IN-LB)	Y
-	BATTERY CABLE 350MM	EBI2.120.00S		
	CHARGING SOCKET & CABLE 100MM	EBI2.120.048		
	CHARGING SOCKET O-RING 24X2	EBI2.120.019		